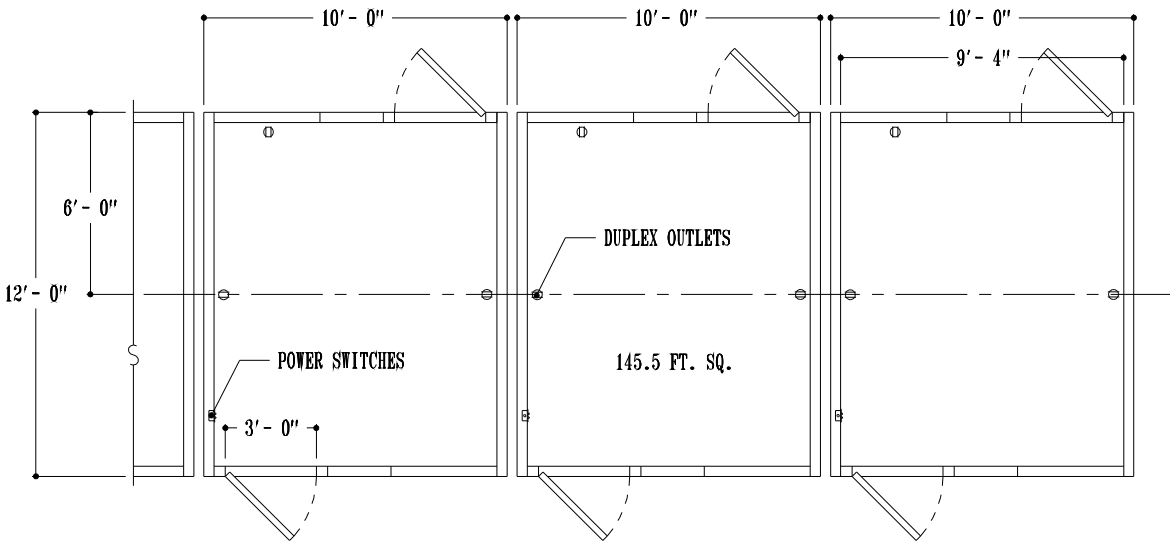
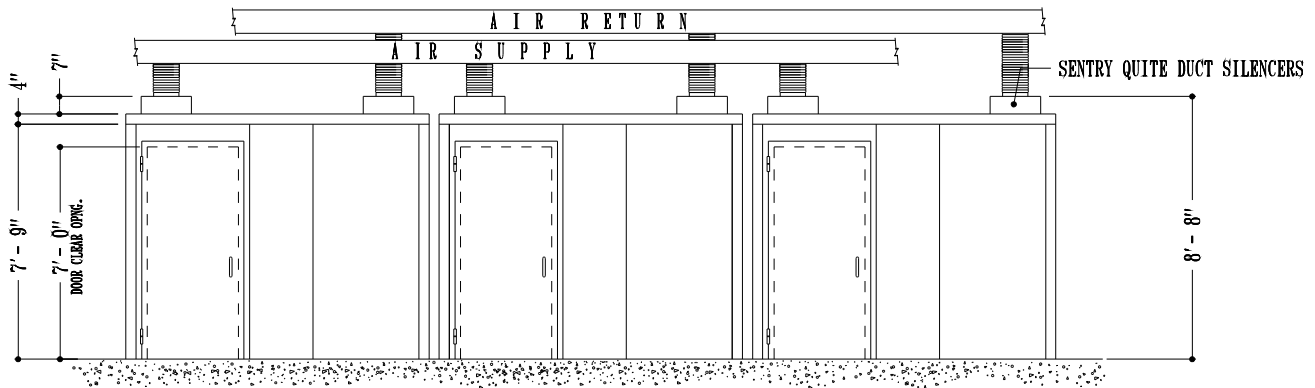


ROOF PANEL LAYOUT



PLAN SECTION LAYOUT



ELEVATION VIEW A - A

SENTRY SECURE FACILITIES

THIS DESIGN AND DRAWING IS THE EXCLUSIVE PROPERTY OF THE INDUSTRIAL ACOUSTICS COMPANY, INCORPORATED, AND IS SUBMITTED AS CONFIDENTIAL INFORMATION. NO PART OF THIS DRAWING OR IT MUST NOT BE USED FOR ANY OTHER PURPOSES NOR CAN IT BE COPIED OR LOANED WITHOUT WRITTEN PERMISSION. UPON REQUEST IT MUST BE RETURNED IMMEDIATELY.

JOB NO. DRAWING NO.

B C F A / 0 4-2B

INDUSTRIAL ACOUSTICS COMPANY, INC.
1160 COMMERCE AVENUE BRONX, N.Y. 10462

CHK

DESCRIPTION OF ISSUE

BY

DATE

ISS